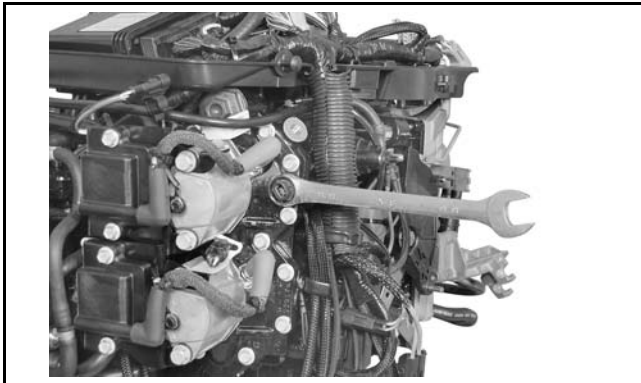


## TEMPERATURE SENDER SERVICING

### Removal

Loosen sensor and remove by hand. Use care to avoid breaking threads.



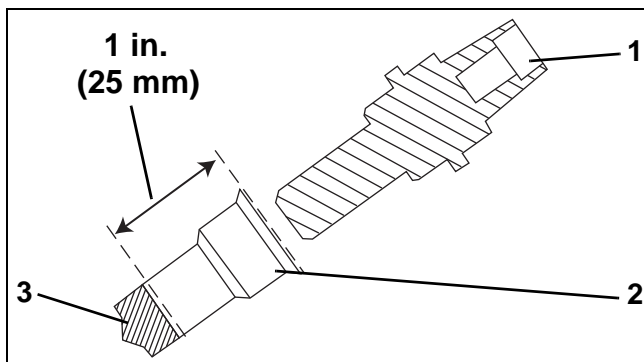
007196

Clean sensor threads, sensor, and sensor cavity.

### Installation

Fill bottom of sensor cavity with 0.7 cc of *Thermal Joint Compound*, P/N 322170. Sensor cavity should be filled to 1 inch (25 mm) below the top edge of the cavity.

Install sensor. DO NOT use gasket sealing compound. SLOWLY tighten temperature sensor to a torque of 50 to 70 in. lbs. (5.6 to 8.0 N·m).



007049

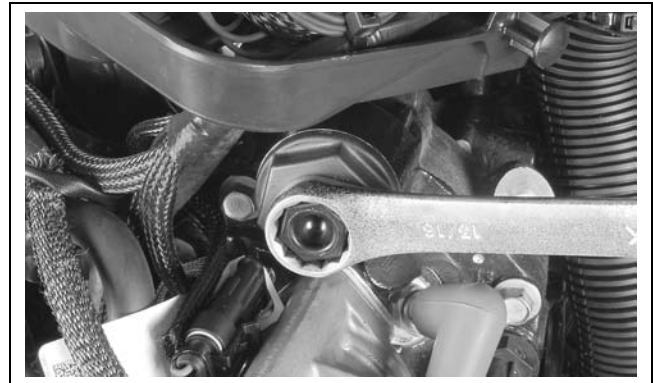
1. Temperature sensor
2. Sensor cavity
3. Thermal joint compound

Wait 10 minutes for trapped air to bleed from cavity. Thermal compound may seep past threads. Retighten sensor.

## THERMOSTAT SERVICING

### Disassembly

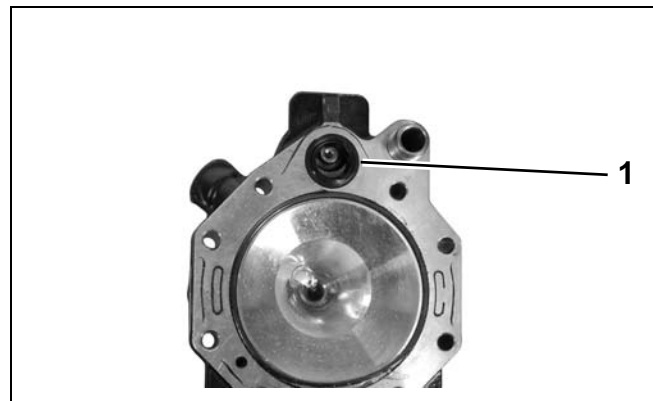
Remove the thermostat cover and O-ring from cylinder head.



005394

Remove spring, thermostat, and gasket.

Remove the cylinder head if cylinder head thermostat seal requires replacement. Place new seal in the cylinder head with side marked "TO CYL HEAD" facing thermostat. Refer to **Cylinder Head Installation** on p. 211.



1. Cylinder head seal

006816